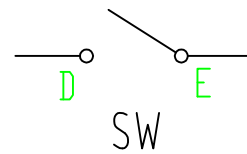
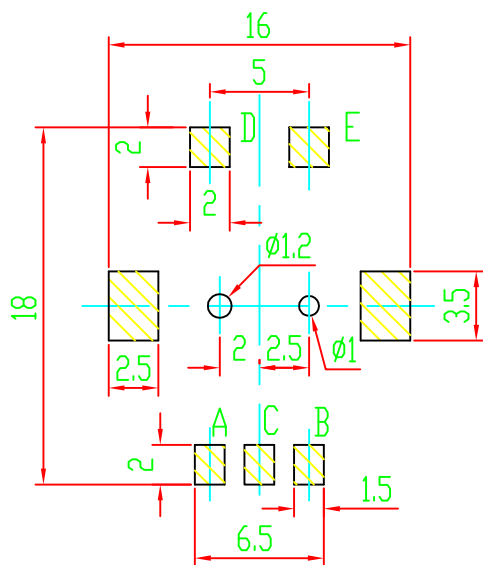
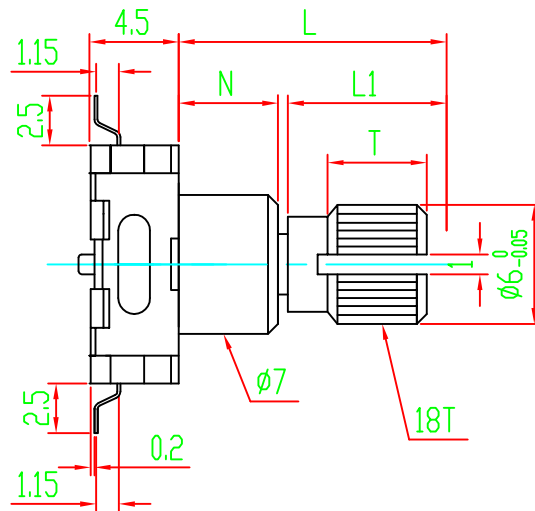
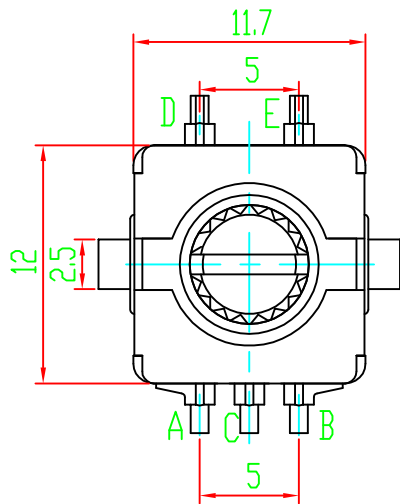



Shaft Shown in Full
C.C.W. Position



P.C.B MOUNTING DETAIL

L	10	10.5	12	12.5	15	15.5	17.5	20
L1	4.5	5	6.5	7	9.5	10	12	14.5
T	3.5	4	5	5	7.5	8	9	10
N	5	5	5	5	5	5	5	5

02				05			
01				04			
	DATE	REVISION	APPROVED	03			
			DRAWING NO:				
			MODEL: EC11-1S-D5*4.5-L12.5KB SMT 光轴套				
			 常州宇豪电子有限公司 CHANGZHOU YUHAO ELECTRONIC CO.,LTD.				
DRAW	CHKD	APPD					